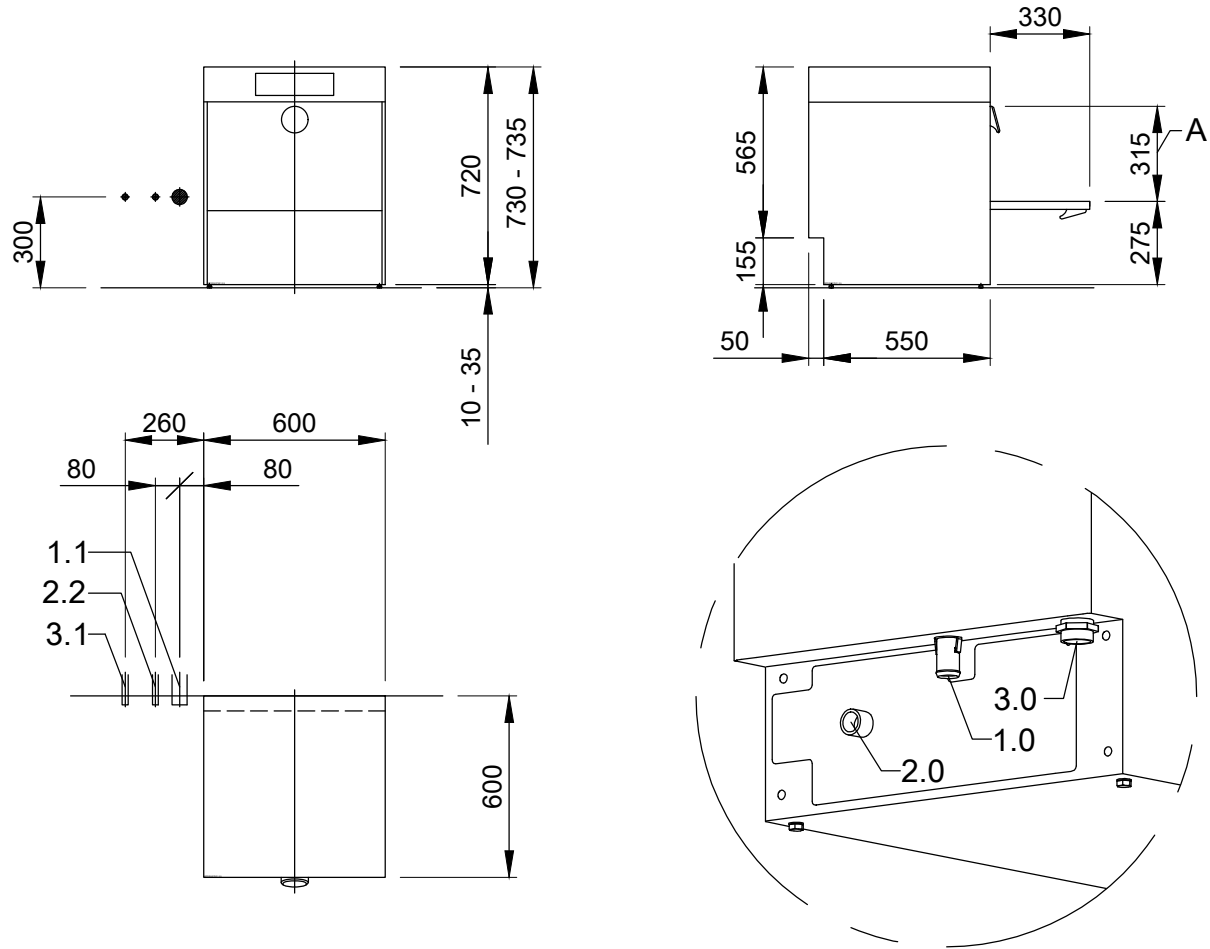



1.0	machine connection: drain connection hose, DN 22 hose fitted as odour trap in interior of machine
1.1	drain (max. 700 mm above finished floor level), DN 50
2.0	Machine connection: fresh water supply, G 3/4"
2.2	Soft cold water 10°C, DN 15, G 3/4 a max. 0,54 mmol/l CaCO ₃ (max. 3°dH) Flow rate: 3 l/min Minimum flow pressure: 60 kPa / 0.6 bar in front of solenoid valve Maximum pressure: 500 kPa / 5.0 bar stopcock and fine screen ≤ 25 µm
3.0	Machine connection: electrical connection cable 4G 4mm ²
3.1	electricity supply to the machine: 3 PE 200V 50/60Hz nominal current / - capacity: 22.7 A / 6.7 kW Fuse protection: ⊕ Voltage equalising cable The master switch must be provided on site
6.0	Heat load of warewash area
6.1	for 20 programme cycles/h total 2.1 kW, perceptible 1.4 kW, latent 0.7 kW
all cables, pipes etc leaving machine 1,6 m	
the position of the connection piping can also be mirror-inverted!	
Machine Equipment	
(A) Entry height	
Electrical connection cable 2 m for local dosing unit (detergent / rinse aid)	
Connection hose 2 m for local dosing unit (detergent / rinse aid)	



 <p>MEIKO Clean Solutions Japan k.k. 2F 1-22-13 Asahigaoka Nerima Tokyo Japan 176-0005 TEL. +81 3 6914 4301 TELEFAX +81 3615 3820 E-MAIL: info@meiko-japan.com</p>	Revision	Reference	Type
	<p>This drawing may not be neither passed to third parties for their information or copied or used for competitive purposes without our consent. All rights reserved. We reserve the right to make changes resulting from technical progress. This drawing was computer generated and is not subject to the checking and any release process; it is also not subject to change management. Please note: This document is only valid in conjunction with the conditions defined in Supplementary Sheet "Important Information". These can be requested from the manufacturer or downloaded from the Partnernet.</p>	<p>DISHWASHER STANDARD DRAWING / JPN</p>	<p>M-ICLEAN UM</p>
		TYPE: GLASSES	
		Drawing-No. S00085608	Order-No.
		Scale 1:25	checked: 27.07.2020 m-iplan
		drawn: 27.07.2020 m-iplan	checked: 27.07.2020 m-iplan